

## Sapphire Radeon RX 470 4GD5 (UEFI) SKU number: 11256-00

SPECIFICATION

- GPU: AMD Radeon **RX 470** Graphics
- Stream Processors: Up to **2048** unit
- Compute Units: **32**
- Boost Clock: Up to **1216** MHz
- Base Clock: **932** MHz
- Memory Clock: Up to **1750** MHz , Effective **7000**Mbps
- Memory Type: **4096**MB
- Bus Interface: PCI-E 3.0 x 16
- HDCP support: Yes
- Firmware: **UEFI** BIOS
- External Power: PCIe Graphic External **1 x 6** pin
- Cooling System: Dual slot, **Blower Fan**
- Bracket: Full Height
- Software: Driver DVD
- Crossfire Support: Crossfire up to 2 GPUs (Bridgeless)

SYSTEM REQUIREMENTS

- PCI Express® based PC is required with one X16 lane graphics slot available on the motherboard.
- NOTE: Minimum recommended system power supply wattage is based on the specific graphics card and the typical power requirements of other system components. Your system may require more or less power.
  - **450W** (or greater) power supply with minimum **one PCIE 6 pin** power connector is required.
- OEM and other pre-assembled PCs may have different power requirements.
- Minimum 4GB of system memory. Recommended 8GB.
- Installation software requires a keyboard, a mouse, and a display.
- DVD playback requires DVD drive and a DVD.
- A display with digital input (HDMI™ or DisplayPort) is required.
- Blu-ray™ playback requires Blu-ray drive a
- Supported operating systems include Windows® 10, and Windows® 7.
- 64-bit operating system required.

PRODUCT FEATURES

- **Sapphire Blower** Cooling Technology
- FinFET 14 Technology
- Microsoft DirectX® 12 Support (DirectX®12 OPTIMIZED)
- 4th GCN Architecture (Powered by Polaris Architecture)
- Vulkan™ API support
- Virtual Super Resolution (VSR)
- AMD FreeSync™ Technology
- AMD Eyefinity
- OpenGL® 4.5 support
- OpenCL™ Support
- XConnect Support
- HDMI™ 2.0b / Display Port 1.4 (DisplayPort 1.2 Certified, DisplayPort 1.3/1.4 Ready)
- Dolby® TrueHD and DTS-HD Master Audio™ Support
- AMD TrueAudio™ Next Technology
- Frame Rate Target Control (FRTC)

DIMENSION:

- **242.5**(L)x **111.5**(W)x **41** (H)mm
- **4** x Maximum Display Monitors support
- **3** x DP / **1** x HDMI

ACCESSORIES

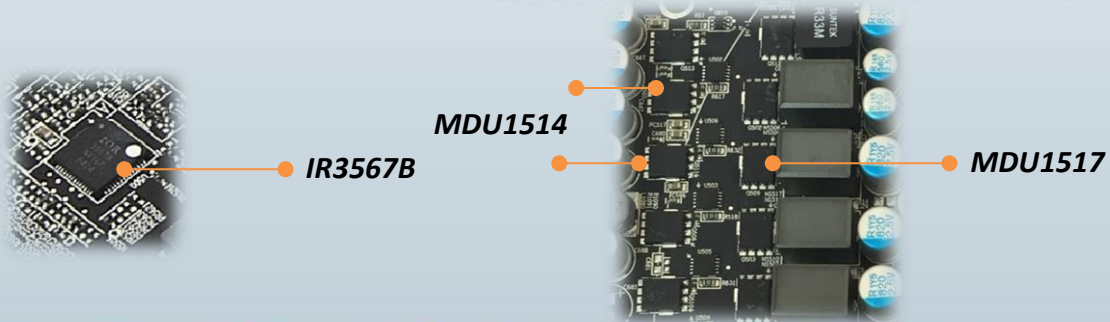
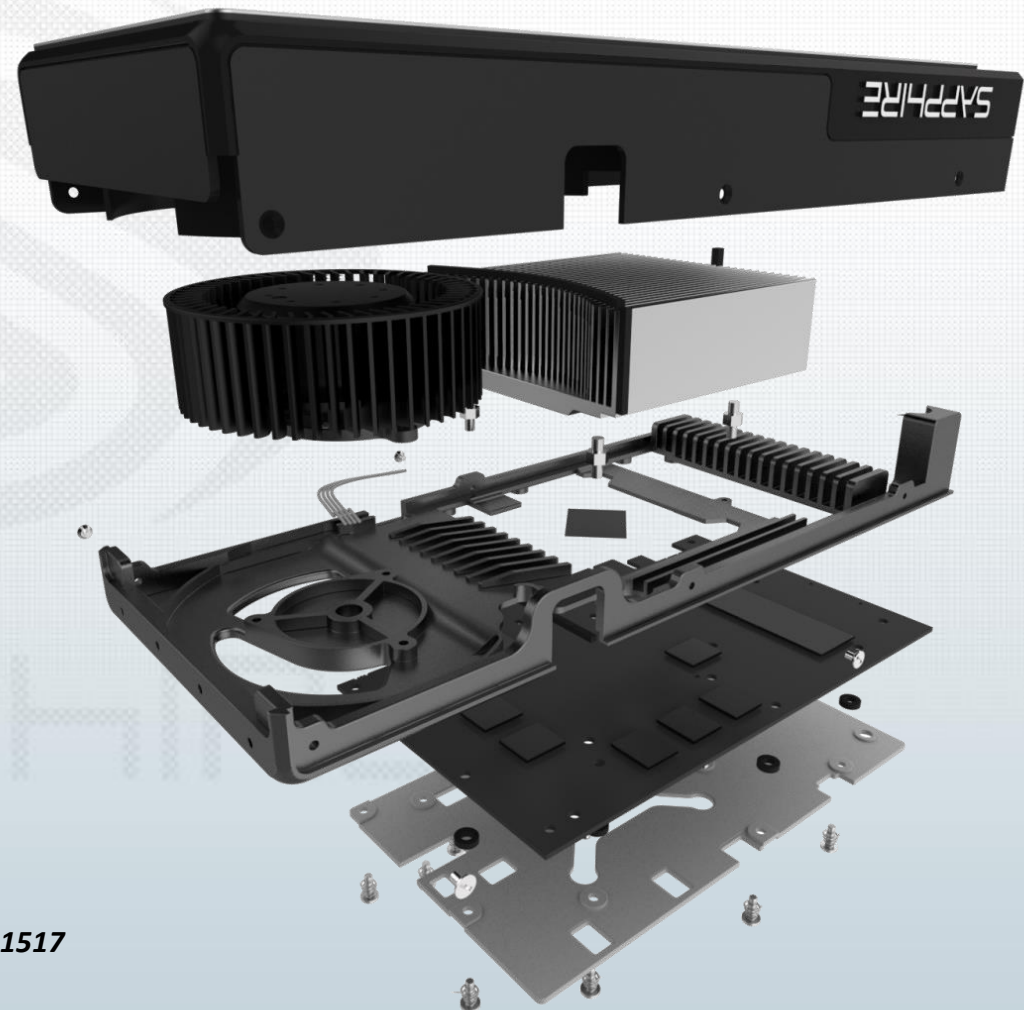
- HDMI to DVI adapter

MAXIMUM DISPLAY RESOLUTION

- HDMI 2.0: 3840x2160p (60 Hz)
- DisplayPort 1.4: 3840x2160 (120Hz)

## Sapphire Radeon RX 470 4GD5 (UEFI) SKU number: 11256-00

<b>Cooling System ( Dual-X Cooling)</b>	
Cooling Fan	Blower Fan Dual Ball Bearing
Cooling Module	Aluminum Heatsink
NITRO Back-Plate	Yes
<b>Board Design</b>	
Power Design	4 VDDC + 1VDDCI + 1MVDD -IR3567B PWM Controller IC -MagnaChip MDU1514(high side) + MDU1517(low side)
PCB Layer	8 Layers
RGB LED	No
External Power Connector	PCI-Express x 6 pin power connector
Product Positioning	RX 470 for system integrators
<b>Sapphire Boost settings(Default)</b>	
Engine Clock	Boost Clock 1216 MHz / Base Clock 932 MHz
Memory Clock	1750 MHz, 7.0 Gbps
Target GPU Temperature	78°C
Fan Speed	Nominal 0~2800 RPM / Maximum 4580 RPM

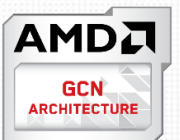


## Sapphire Radeon RX 470 4GD5 (UEFI) SKU number: 11256-00



### Ready for AMD XConnect™ Technology

Should a PC gamer on the go buy a gaming notebook that's tough to carry, or a thin notebook that's tough to game on? AMD XConnect™ unlocks the best of both worlds on systems designed for Thunderbolt™ 3 eGFX enclosures—an ideal form factor for fast and efficient Polaris-powered GPUs.



### AMD 4th GCN Architecture

4th Gen GCN Architecture for AMD's unified graphics processing and compute cores features enhanced shader performance, a new Geometry Engine, and new memory compression technology that allows for improved performance and efficiency.



### AMD Free-Sync™ Technology

AMD FreeSync™ technology in select AMD APUs and GPUs synchronizes the update rate of a monitor to your favorite game, eliminating tears and choppiness for effortlessly smooth gameplay.



### AMD Eyefinity Technology

Expand your territory and customize your field of vision. Connect up to six displays on a single GPU for dynamic, panoramic multi-screen gaming.



### AMD CrossFire™

Multi-GPU support offers superior scalability. AMD CrossFire™ technology enables a bridgeless AMD CrossFire multi-GPU configuration.



### AMD TrueAudio™ Next Technology

A revolutionary audio processing environment utilizing the 4th Generation GCN compute units to create the most realistic 3D surround environments for VR gaming.



### Virtual Super Resolution (VSR)

VSR automatically re-renders games at higher resolutions (up to 4K-quality) and then dynamically rescales them for HD displays at higher quality and details.



### Microsoft DirectX® 12 Support

RADEON™ RX 400 Series Graphics fully support Microsoft® DirectX® 12, with the following enhancements:

- Faster Tessellation
- Tiled Resources: Support for massive virtual textures, enabling dynamic loading of tiles into graphics RAM for expansive game world details.

### DirectX®12 OPTIMIZED

AMD's key advantage of Async Shaders bring increased levels of utilization for graphics, compute, and memory workloads to ensure your games don't miss a beat.

### Powered by Polaris Architecture

Radeon™ RX graphics cards feature the latest Polaris architecture which includes the 4th Gen GCN graphics cores, a brand new display engine, new multimedia cores, all on the revolutionary FinFET 14 process technology for enhanced performance and efficiency.

### Dolby® TrueHD and DTS-HD Master Audio™ Support

Support of content-protected, high-bandwidth, 7.1 channels of surround sound over HDMI™ and DisplayPort.

*NOTE: Receiver or HDTV that supports these audio formats required.*

### FinFET 14

The FinFet 14 process technology puts more transistors in less space, enabling dramatic increases in processing power and power efficiency.

### Frame Rate Target Control (FRTC)

Allows users to set a frame rate target when playing an application; the benefit being that users can reduce GPU power consumption (great for games running at frame rates much higher than the display refresh rate).

### Vulkan™

Next generation multi-platform API enables improved graphics and fluid visuals for next generation gaming